



Check  
Valve

# 止回阀

Focus on Customer  
Needs Provide the Solution



# 旋启式止回阀

## Swing Check Valve

### 产品采用标准

|       |                          |                       |
|-------|--------------------------|-----------------------|
| 结构形式  | 螺栓连接阀盖旋启式止回阀             |                       |
| 设计依据  | GB                       | API                   |
| 设计标准  | GB/T 12236               | API 6D                |
| 结构长度  | GB/T 12221               | API 6D<br>ASME B16.10 |
| 连接法兰  | HG/T 20592               | ASME B16.5            |
| 试验和检验 | GB/T 26480<br>GB/T 13927 | API 598               |

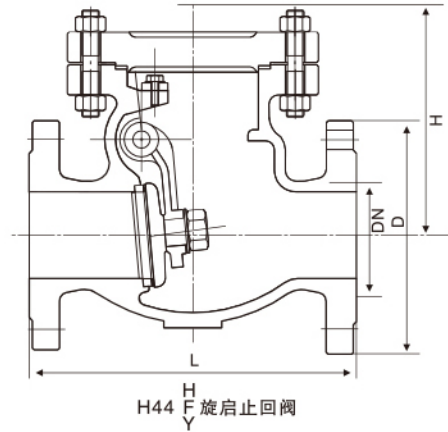


### 主要零件材料

| 序号 | 零件名称 | 材质   |   |
|----|------|--|---|
|    |      | ASTM   | GB  |
| 1  | 六角螺母 | A194-2H, A194-8, A194-8M                               | 45, 35CrMoA, 25Cr2MoV, 0Cr18Ni9, 0Cr17Ni12Mo2                     |
| 2  | 双头螺栓 | A193-B7, A320-B8, A193-B8M                             | 35CrMoA, 25Cr2MoV, 0Cr18Ni9, 0Cr17Ni12Mo2                         |
| 3  | 阀盖   | WCB, WC1, WC6, WC9, C5, CF8, CF8M, CF8C, CF3, CF3M     | WCB, WC1, WC6, WC9, C5, CF8, CF8M, CF8C, CF3, CF3M                |
| 4  | 连接架  | WCB, WC1, WC6, WC9, C5, CF8, CF8M, CF8C, CF3, CF3M     | WCB, WC1, WC6, WC9, C5, CF8, CF8M, CF8C, CF, CF3M                 |
| 5  | 销轴   | Gr.F6a, F22, F304, F316, F321, F304L, F316L            | 1Cr13, 2Cr13, 1Cr18Ni9TU, 0Cr18Ni12Mo2Ti                          |
| 6  | 摇杆   | WCB, WC1, WC6, WC9, C5, CF8, CF8M, CF8C, CF3, CF3M     | WCB, WC1, WC6, WC9, C5, CF8, CF8M, CF8C, CF3, CF3M                |
| 7  | 阀瓣   | WCB, WC1, WC6, WC9, C5, CF8, CF8M, CF8C, CF3, CF3M     | WCB, WC1, WC6, WC9, C5, CF8, CF8M, CF8C, CF3, CF3M                |
| 8  | 阀座   | A105, F11, F22, F5, F9, F304, F316, F321, F304L, F316L | 25, 1Cr13, 2Cr13, 1Cr18Ni9Ti, 0Cr18Ni12Mo2Ti, 20Cr1Mo1V, 25Cr2MoV |
| 9  | 阀体   | WCB, WC1, WC6, WC9, C5, CF8, CF8M, CF8C, CF3, CF3M     | WCB, WC1, WC6, WC9, C5, CF8, CF8M, CF8C, CF3, CF3M                |

# 旋启式止回阀

## Swing Check Valve



### 主要外形尺寸

| PN1.6MPa  |     |     |     |     |     |     |     |         |         |      |      |      |
|-----------|-----|-----|-----|-----|-----|-----|-----|---------|---------|------|------|------|
| DN        | 50  | 65  | 80  | 100 | 125 | 150 | 200 | 250     | 300     | 350  | 400  | 500  |
| L         | 230 | 290 | 310 | 350 | 400 | 480 | 550 | 650/730 | 750/850 | 850  | 950  | 1150 |
| H         | 160 | 175 | 185 | 220 | 248 | 276 | 350 | 410     | 430     | 518  | 560  | 618  |
| PN2.5MPa  |     |     |     |     |     |     |     |         |         |      |      |      |
| DN        | 50  | 65  | 80  | 100 | 125 | 150 | 200 | 250     | 300     | 350  | 400  | 500  |
| L         | 230 | 290 | 310 | 350 | 400 | 480 | 550 | 650/730 | 750/850 | 850  | 950  | 1150 |
| H         | 160 | 175 | 185 | 220 | 248 | 276 | 350 | 410     | 430     | 518  | 560  | 618  |
| PN4.0MPa  |     |     |     |     |     |     |     |         |         |      |      |      |
| DN        | 50  | 65  | 80  | 100 | 125 | 150 | 200 | 250     | 300     | 350  | 400  | -    |
| L         | 230 | 290 | 310 | 350 | 400 | 480 | 550 | 650/730 | 750/850 | 850  | 950  | -    |
| H         | 169 | 173 | 185 | 220 | 248 | 270 | 342 | 401     | 423     | 455  | 510  | -    |
| PN6.4MPa  |     |     |     |     |     |     |     |         |         |      |      |      |
| DN        | 50  | 65  | 80  | 100 | 125 | 150 | 200 | 250     | 300     | 350  | 400  | -    |
| L         | 300 | 340 | 380 | 430 | 500 | 550 | 650 | 775     | 900     | 1025 | 1150 | -    |
| H         | 177 | 197 | 212 | 248 | 296 | 330 | 385 | 445     | 474     | 514  | 616  | -    |
| PN10.0MPa |     |     |     |     |     |     |     |         |         |      |      |      |
| DN        | 50  | 65  | 80  | 100 | 150 | 200 | 250 | 300     | -       | -    | -    | -    |
| L         | 300 | 340 | 380 | 430 | 550 | 650 | 775 | 900     | -       | -    | -    | -    |
| H         | 210 | 227 | 235 | 274 | 340 | 374 | 440 | 505     | -       | -    | -    | -    |

# 美标止回阀

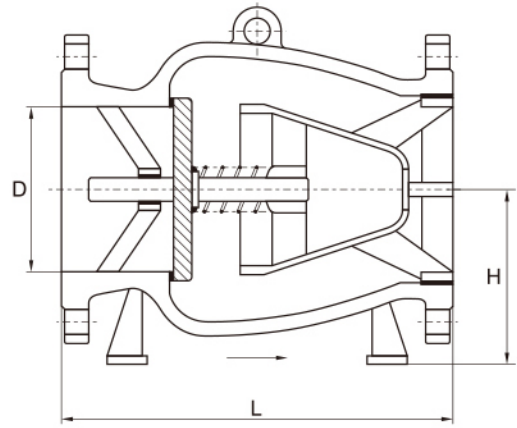
## American Standard Check Valve

### 主要外形尺寸

| Class150Lb  |        |        |        |        |        |        |        |        |        |        |        |        |        |        |
|-------------|--------|--------|--------|--------|--------|--------|--------|--------|--------|--------|--------|--------|--------|--------|
| DN          | 50     | 65     | 80     | 100    | 125    | 150    | 200    | 250    | 300    | 350    | 400    | 450    | 500    | 600    |
|             | 2      | 2 1/2  | 3      | 4      | 5      | 6      | 8      | 10     | 12     | 14     | 16     | 18     | 20     | 24     |
| L           | 203    | 216    | 241    | 292    | 330    | 356    | 495    | 622    | 699    | 787    | 864    | 978    | 978    | 1295   |
|             | 8      | 8 1/2  | 9 1/2  | 11 1/2 | 13     | 14     | 19 1/2 | 24 1/2 | 27 1/2 | 31     | 34     | 38 1/2 | 38 1/2 | 51     |
| H           | 170    | 180    | 185    | 215    | 240    | 260    | 300    | 350    | 400    | 450    | 480    | 540    | 600    | 680    |
|             | 6 3/4  | 7 1/8  | 7 3/8  | 8 1/2  | 9 1/2  | 10 1/4 | 11 7/8 | 13 7/8 | 15 3/4 | 17 3/4 | 19     | 21 1/4 | 25 5/8 | 26 3/4 |
| Class300Lb  |        |        |        |        |        |        |        |        |        |        |        |        |        |        |
| DN          | 50     | 65     | 80     | 100    | 125    | 150    | 200    | 250    | 300    | 350    | 400    | 450    | 500    | 600    |
|             | 2      | 2 1/2  | 3      | 4      | 5      | 6      | 8      | 10     | 12     | 14     | 16     | 18     | 20     | 24     |
| L           | 267    | 292    | 318    | 356    | 400    | 445    | 533    | 622    | 711    | 838    | 864    | 978    | 1016   | 1346   |
|             | 10 1/2 | 11 1/2 | 10 1/2 | 14     | 15 3/4 | 17 1/2 | 21     | 24 1/2 | 28     | 33     | 34     | 38 1/8 | 40     | 53 7/8 |
| H           | 170    | 185    | 215    | 235    | 270    | 300    | 340    | 350    | 420    | 480    | 520    | 600    | 670    | 750    |
|             | 6 3/4  | 7 3/8  | 8 1/2  | 9 1/4  | 10 5/8 | 11 5/8 | 13 3/8 | 13 7/8 | 16 5/8 | 18 7/8 | 20 1/2 | 23 5/8 | 26 3/8 | 29 5/8 |
| Class600Lb  |        |        |        |        |        |        |        |        |        |        |        |        |        |        |
| DN          | 50     | 65     | 80     | 100    | 150    | 200    | 250    | 300    | 350    | 400    | 450    | 500    | 600    |        |
|             | 2      | 2 1/2  | 3      | 4      | 6      | 8      | 10     | 12     | 14     | 16     | 18     | 20     | 24     |        |
| L           | 292    | 330    | 356    | 432    | 559    | 660    | 787    | 838    | 889    | 991    | 1092   | 1194   | 1397   |        |
|             | 11 1/2 | 13     | 14     | 17     | 22     | 26     | 31     | 33     | 35     | 39     | 43     | 47     | 55     |        |
| H           | 175    | 200    | 230    | 295    | 360    | 400    | 460    | 520    | 560    | 650    | 730    | 800    | 900    |        |
|             | 6 7/8  | 7 7/8  | 9 1/8  | 11 5/8 | 14 1/4 | 15 3/4 | 18 1/8 | 20 1/2 | 22 1/8 | 25 5/8 | 28 3/4 | 31 1/2 | 35 1/2 |        |
| Class900Lb  |        |        |        |        |        |        |        |        |        |        |        |        |        |        |
| DN          | 50     | 65     | 80     | 100    | 150    | 200    | 250    | 300    | -      | -      |        |        |        |        |
|             | 2      | 2 1/2  | 3      | 4      | 6      | 8      | 10     | 12     | -      | -      |        |        |        |        |
| L           | 368    | 419    | 381    | 457    | 610    | 737    | 838    | 965    | -      | -      |        |        |        |        |
|             | 14 1/2 | 16 1/2 | 15     | 18     | 24     | 29     | 33     | 38     | -      | -      |        |        |        |        |
| H           | 250    | 270    | 230    | 310    | 360    | 430    | 480    | 560    | -      | -      |        |        |        |        |
|             | 9 7/8  | 10 5/8 | 9 1/8  | 12 1/4 | 14 1/4 | 17     | 18 7/8 | 22     | -      | -      |        |        |        |        |
| Class1500Lb |        |        |        |        |        |        |        |        |        |        |        |        |        |        |
| DN          | 50     | 65     | 80     | 100    | 150    | 200    | 250    | 300    | -      | -      |        |        |        |        |
|             | 2      | 2 1/2  | 3      | 4      | 6      | 8      | 10     | 12     | -      | -      |        |        |        |        |
| L           | 368    | 419    | 470    | 546    | 705    | 832    | 991    | 1130   | -      | -      |        |        |        |        |
|             | 14 1/2 | 16 1/2 | 18 1/2 | 21 1/2 | 27 3/4 | 32 3/4 | 39     | 44 1/2 | -      | -      |        |        |        |        |
| H           | 250    | 270    | 300    | 330    | 450    | 500    | 560    | 650    | -      | -      |        |        |        |        |
|             | 9 7/8  | 10 3/8 | 11 7/8 | 13     | 17 3/4 | 19 3/4 | 22 1/8 | 22 5/8 | -      | -      |        |        |        |        |

# 轴流式止回阀

## Axial Flow Check Valve



### 产品结构特点

轴流式止回阀适用于压力等级为150Lb~600Lb(PN2.0~10.0MPa); 工作温度为-46~350°C的石油、化工、天然气等工况管路上, 防止介质倒流。其主要结构特点有:

1. 产品结构合理、密封可靠、性能优良、造型美观。
2. 阀瓣、阀座密封面堆焊钴基合金, 或是非金属和金属密封的组合, 产品性能稳定, 使用寿命长。
3. 端部连接采用焊接端或法兰连接, 用户可以根据管线要求选择连接方式, 满足各种工程需要。
4. 采用流线型设计, 噪音低、节能、环保, 介质通过阀门的压力损失小。
5. 使用寿命长、启闭无卡阻、运行可靠。
6. 低压密封和低压开启。
7. 零泄漏, 传统止回阀无可比拟。

### 技术规范

| 结构形式  | 轴流式  |
|-------|--|
| 设计标准  | API 6D GB/T 19672 GB/T 21387                     |
| 结构长度  | API 6D GB/T 19672                                |
| 端部尺寸  | ASME B16.25 ASME B16.5<br>GB/T 9124.1 HG/T 20592 |
| 试验和检验 | API 6D API 598<br>GB/T 26480                     |

### 主要零件材质

| 序号 | 零件名称 | 材质                          |
|----|------|-----------------------------|
| 1  | 阀体   | WCB LCB A105 LF2 A516 Gr.70 |
| 2  | 阀瓣   | A105 LF2 A516 Gr.70         |
| 3  | 弹簧   | 60Si2Mn Inconel X-750       |
| 4  | 导向轴  | A105+ENP LF2+ENP            |
| 5  | 轴承   | 304+PTFE 316+PTFE           |

# 轴流式止回阀

## Axial Flow Check Valve

### 主要外形尺寸

| 规格                 |      | D    | L-BW | L-RF | L-RTJ | H    |
|--------------------|------|------|------|------|-------|------|
| in                 | mm   |      |      |      |       |      |
| PN2.0MPa(Class150) |      |      |      |      |       |      |
| 2                  | 50   | 49   | 203  | 203  | 216   | 102  |
| 3                  | 80   | 74   | 241  | 241  | 254   | 128  |
| 4                  | 100  | 100  | 292  | 292  | 305   | 160  |
| 6                  | 150  | 150  | 356  | 356  | 368   | 200  |
| 8                  | 200  | 201  | 495  | 495  | 508   | 255  |
| 10                 | 250  | 252  | 622  | 622  | 635   | 308  |
| 12                 | 300  | 303  | 699  | 699  | 711   | 348  |
| 14                 | 350  | 334  | 787  | 787  | 800   | 360  |
| 16                 | 400  | 385  | 864  | 864  | 876   | 410  |
| 18                 | 450  | 436  | 978  | 978  | 991   | 430  |
| 20                 | 500  | 487  | 978  | 978  | 991   | 492  |
| 22                 | 550  | 538  | 1067 | 1067 | 1080  | 505  |
| 24                 | 600  | 589  | 1295 | 1295 | 1308  | 570  |
| 26                 | 650  | 633  | 1295 | 1295 | 1308  | 618  |
| 28                 | 700  | 684  | 1448 | 1448 | 1461  | 692  |
| 30                 | 750  | 735  | 1524 | 1524 | 1357  | 800  |
| 32                 | 800  | 779  | 1778 | 1778 | 1794  | 804  |
| 34                 | 850  | 830  | 1930 | 1930 | 1946  | 817  |
| 36                 | 900  | 874  | 1965 | 1965 | 1981  | 945  |
| 40                 | 1000 | 976  | 2159 | 2159 | 2175  | 980  |
| 42                 | 1050 | 1020 | 2261 | 2261 | 2277  | 1110 |
| 48                 | 1200 | 1166 | 2566 | 2566 | 2582  | 1265 |
| PN5.0MPa(Class300) |      |      |      |      |       |      |
| 2                  | 50   | 49   | 267  | 267  | 283   | 102  |
| 3                  | 80   | 74   | 318  | 318  | 333   | 128  |
| 4                  | 100  | 100  | 356  | 356  | 371   | 160  |
| 6                  | 150  | 150  | 445  | 445  | 460   | 200  |
| 8                  | 200  | 201  | 533  | 533  | 549   | 255  |
| 10                 | 250  | 252  | 622  | 622  | 638   | 308  |
| 12                 | 300  | 303  | 711  | 711  | 727   | 348  |
| 14                 | 350  | 334  | 838  | 838  | 854   | 360  |
| 16                 | 400  | 385  | 864  | 864  | 879   | 410  |
| 18                 | 450  | 436  | 978  | 978  | 994   | 430  |
| 20                 | 500  | 487  | 1016 | 1016 | 1035  | 492  |
| 22                 | 550  | 538  | 1118 | 1118 | 1140  | 505  |
| 24                 | 600  | 589  | 1346 | 1346 | 1368  | 570  |
| 26                 | 650  | 633  | 1346 | 1346 | 1372  | 618  |
| 28                 | 700  | 684  | 1499 | 1499 | 1524  | 692  |
| 30                 | 750  | 735  | 1594 | 1594 | 1619  | 800  |
| 32                 | 800  | 779  | 1778 | 1778 | 1794  | 804  |
| 34                 | 850  | 830  | 1930 | 1930 | 1946  | 817  |
| 36                 | 900  | 874  | 2083 | 2083 | 2099  | 945  |
| 40                 | 1000 | 976  | 2286 | 2286 | 2302  | 980  |
| 42                 | 1050 | 1020 | 2438 | 2438 | 2454  | 1110 |
| 48                 | 1200 | 1166 | 2617 | 2617 | 2633  | 1265 |

# 轴流式止回阀

## Axial Flow Check Valve

### 主要外形尺寸

| 规格                  |      | D    | L-BW | L-RF | L-RTJ | H    |
|---------------------|------|------|------|------|-------|------|
| in                  | mm   |      |      |      |       |      |
| PN6.3MPa(Class400)  |      |      |      |      |       |      |
| 2                   | 50   | 49   | 292  | 292  | 295   | 102  |
| 3                   | 80   | 74   | 356  | 356  | 359   | 128  |
| 4                   | 100  | 100  | 432  | 432  | 435   | 160  |
| 6                   | 150  | 150  | 559  | 559  | 562   | 200  |
| 8                   | 200  | 201  | 660  | 660  | 664   | 255  |
| 10                  | 250  | 252  | 787  | 787  | 791   | 308  |
| 12                  | 300  | 303  | 838  | 838  | 841   | 348  |
| 14                  | 350  | 334  | 889  | 889  | 892   | 360  |
| 16                  | 400  | 385  | 991  | 991  | 994   | 410  |
| 18                  | 450  | 436  | 1092 | 1092 | 1095  | 430  |
| 20                  | 500  | 487  | 1194 | 1194 | 1200  | 492  |
| 22                  | 550  | 538  | 1295 | 1295 | 1305  | 505  |
| 24                  | 600  | 589  | 1397 | 1397 | 1407  | 570  |
| 26                  | 650  | 633  | 1448 | 1448 | 1461  | 618  |
| 28                  | 700  | 684  | 1600 | 1600 | 1613  | 692  |
| 30                  | 750  | 735  | 1651 | 1651 | 1664  | 800  |
| 32                  | 800  | 779  | 1778 | 1778 | 1794  | 804  |
| 34                  | 850  | 830  | 1930 | 1930 | 1946  | 817  |
| 36                  | 900  | 874  | 2083 | 2083 | 2099  | 945  |
| 40                  | 1000 | 976  | 2286 | 2286 | 2302  | 980  |
| 42                  | 1050 | 1020 | 2438 | 2438 | 2454  | 1110 |
| 48                  | 1200 | 1166 | 2617 | 2617 | 2633  | 1265 |
| PN10.0MPa(Class600) |      |      |      |      |       |      |
| 2                   | 50   | 49   | 292  | 292  | 295   | 102  |
| 3                   | 80   | 74   | 356  | 356  | 359   | 128  |
| 4                   | 100  | 100  | 406  | 406  | 410   | 160  |
| 6                   | 150  | 150  | 495  | 495  | 498   | 200  |
| 8                   | 200  | 201  | 597  | 597  | 600   | 255  |
| 10                  | 250  | 252  | 673  | 673  | 676   | 308  |
| 12                  | 300  | 303  | 762  | 762  | 765   | 348  |
| 14                  | 350  | 334  | 889  | 889  | 892   | 360  |
| 16                  | 400  | 385  | 902  | 902  | 905   | 410  |
| 18                  | 450  | 436  | 1016 | 1016 | 1019  | 430  |
| 20                  | 500  | 487  | 1054 | 1054 | 1060  | 492  |
| 22                  | 550  | 538  | 1143 | 1143 | 1153  | 505  |
| 24                  | 600  | 589  | 1397 | 1397 | 1407  | 570  |
| 26                  | 650  | 633  | 1397 | 1397 | 1410  | 618  |
| 28                  | 700  | 684  | 1600 | 1600 | 1613  | 692  |
| 30                  | 750  | 735  | 1651 | 1651 | 1664  | 800  |
| 32                  | 800  | 779  | 1778 | 1778 | 1794  | 804  |
| 34                  | 850  | 830  | 1930 | 1930 | 1946  | 817  |
| 36                  | 900  | 874  | 2083 | 2083 | 2099  | 945  |
| 40                  | 1000 | 976  | 2286 | 2286 | 2302  | 980  |
| 42                  | 1050 | 1020 | 2438 | 2438 | 2454  | 1110 |
| 48                  | 1200 | 1166 | 2617 | 2617 | 2633  | 1265 |